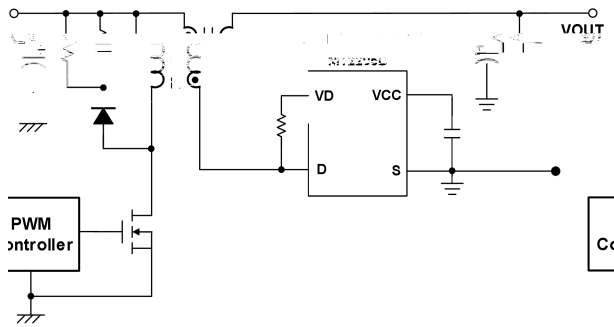
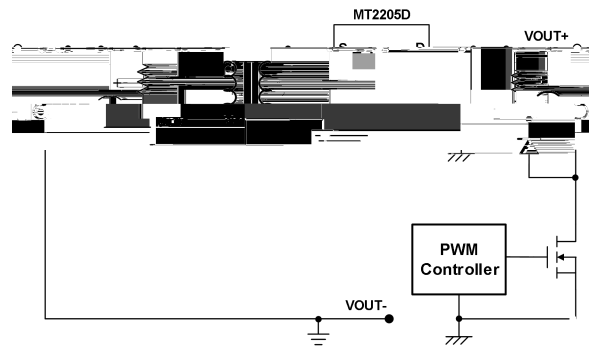


-
-
-
-
-
-
-
-
-
-
-
-
-
-
-
-



Low Side Application Circuit



High Side Application Circuit